

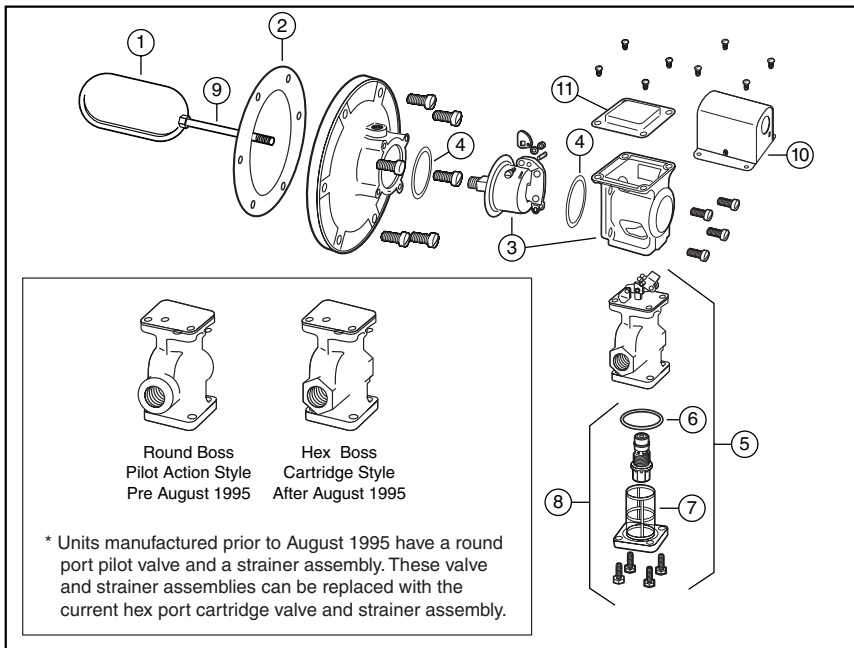


Water Feeders – Make-Up

Series 851 Make-Up Water Feeders

Components

Item Number	Part Number	Model Number	Description	Weight lbs. (kg)
1	313600	37A-130	Float (includes item 2)	2.0 (0.9)
2	335400	847-26	Gasket	0.1 (.05)
3	352925	SA851-4	Bellows bracket assembly	1.5 (0.7)
4	312800	37-27	Gasket	0.1 (.05)
5*	342500	SA51-101-102	Valve & strainer kit	3.0 (1.4)
6	324435	37-101	Tetraseal O-ring	0.1 (.05)
7	347100	SA101-38	Strainer basket (includes item 6)	0.7 (.32)
8	310452	CTRD-51	Cartridge & strainer kit	0.8 (.36)
9	335700	851-105	Float rod	0.3 (.14)
10	110000	2	Switch	1.0 (.05)
11	312600	37-20	Cover	0.1 (.05)





Water Feeders – Make-Up

Series 851-S Make-Up Water Feeders

Components

Item Number	Part Number	Model Number	Description	Weight lbs. (kg)
1	313600	37A-130	Float (includes item 2)	2.0 (.9)
2	335400	847-26	Gasket	0.1 (.05)
3	352925	SA851-4	Bellows bracket assembly (includes item 4)	1.5 (.7)
4	312800	37-27	Gasket	0.1 (.05)
5	342100	SA51S-6	Valve assembly	3.0 (1.4)
6	316200	51S-114	Valve seat	0.1 (.05)
7	312900	37-28	Gasket	0.1 (.05)
8	324435	37-101	Tetraseal O-ring	0.1 (.05)
9	340700	SA37-38	Strainer basket (includes item 8))	0.7 (.32)
10	342200	SA51-9	Strainer assembly	3.0 (1.4)
11	335750	851S-105	Float rod	0.3 (.14)
12	110000	2	Switch	1.0 (0.5)
13	312600	37-20	Cover	0.1 (0.5)



BOILER CONTROLS

