

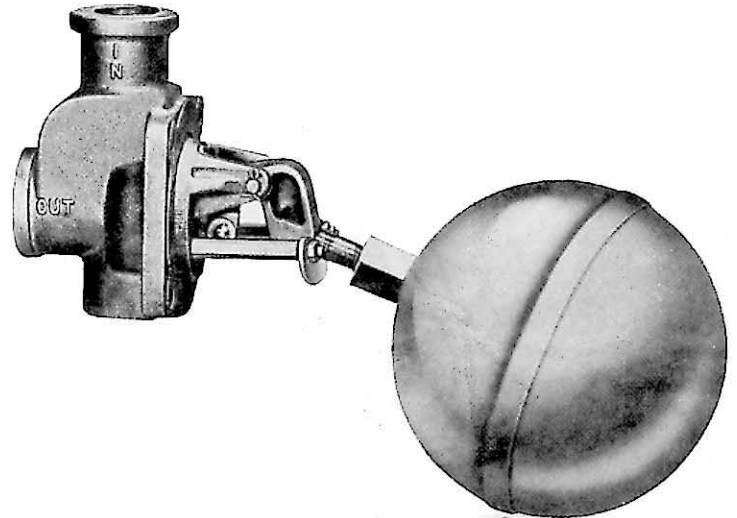
## McDONNELL No. 27W Float and Valve Mechanism

The McDonnell No. 27W Valve Mechanism is a float operated valve that automatically adds water or other liquids whenever necessary to maintain a prescribed level. Its versatility and large feeding capacity fit it for a wide range of applications. Its simplicity of design and quality of construction provides dependability.

The No. 27W Valve Mechanism can be used to add make-up water to condensate receiving tanks, to maintain levels in distillation equipment, and for many other liquid level control jobs. It can be flange-mounted directly in the side of a tank or receiver, to feed water through a separate feed line. Mounted in this manner a small percentage of water will feed through the valve mechanism. It can also be mounted inside, to spill water directly into the tank.

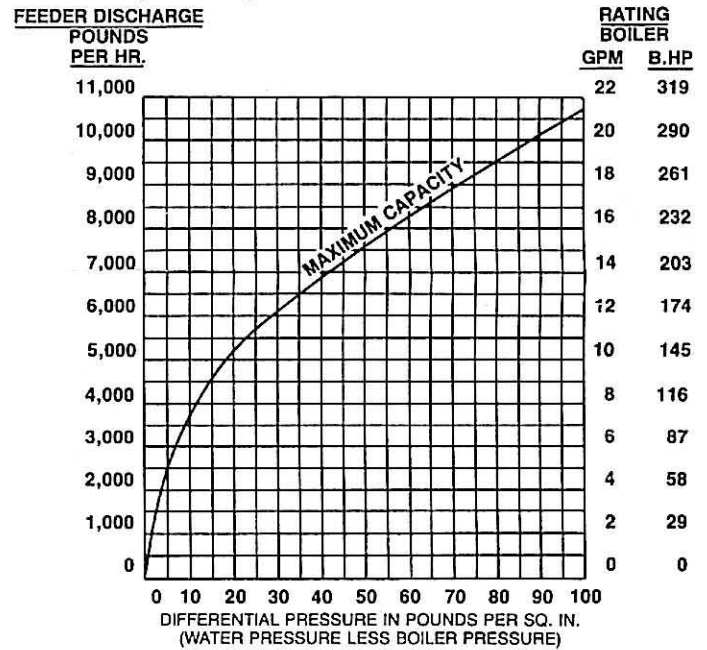
Valve stem seating area is made of high temperature composition. Valve seat is of monel, and located a full 1½" above the closing level. Positive alignment of the valve is assured by the cam-and-roller straight-thrust action, and by the valve guides which are cast as an integral part of the machined valve body.

All parts are of non-corrosive materials, and all bearings unusually husky. The entire valve body is a one-piece brass casting.

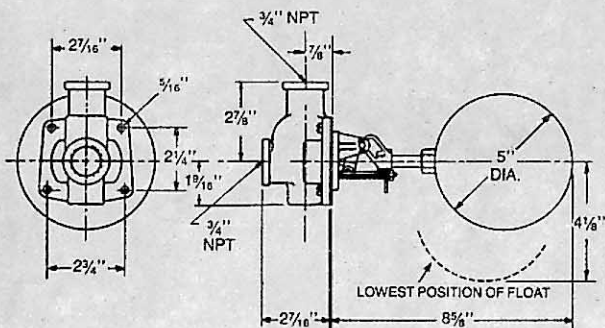


Maximum Water Supply Pressure, 100psi  
Shipping Weight, 6 lbs.

### Capacity Curve—No. 27W

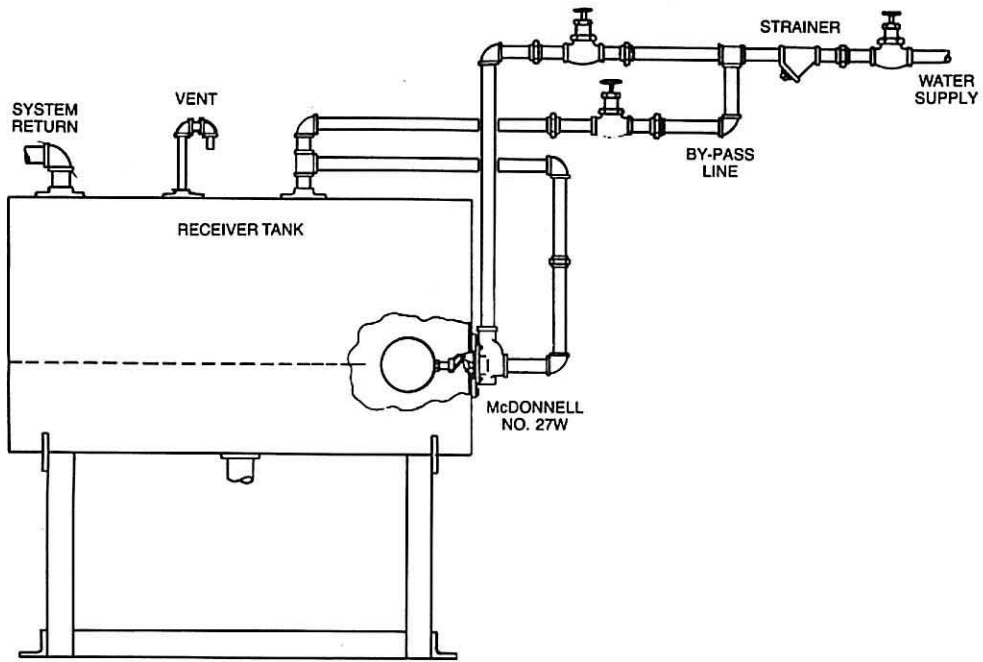


Dimension Details—No. 27W

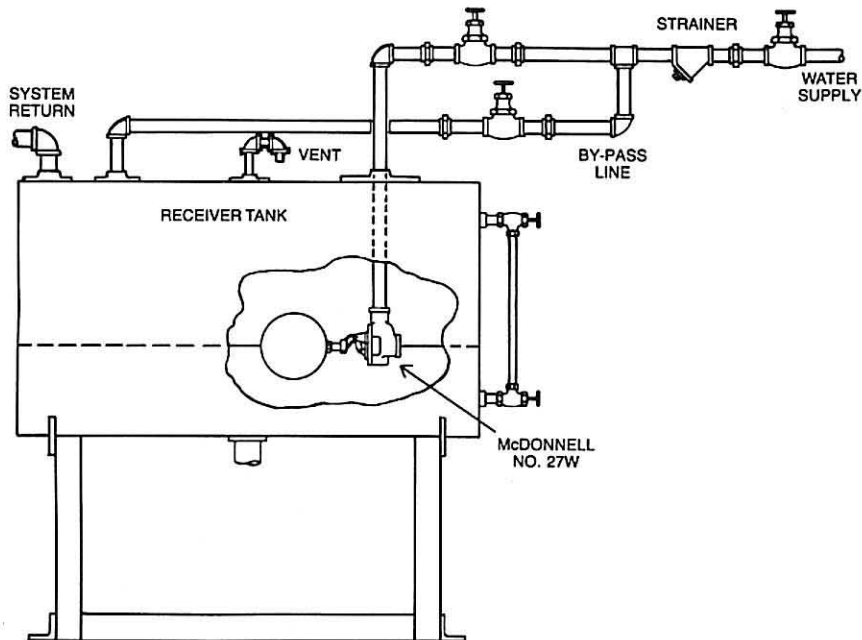


# TYPICAL INSTALLATIONS

## McDONNELL No. 27W



McDonnell No. 27W — Flange Mounted Outside Receiver Tank



McDonnell No. 27W — Mounted Inside Receiver Tank