

problem.



Lime build-up on ordinary probe.

no problem.



McDonnell & Miller self-cleaning probe eliminates lime build-up.

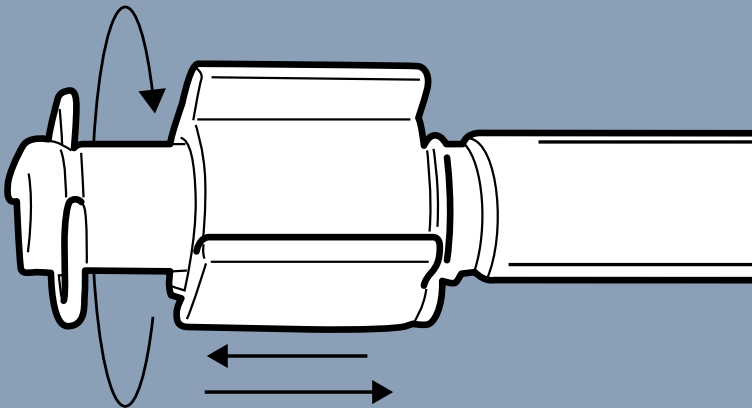
Say goodbye to probe maintenance for the next five years with the only low water cut-off with a self-cleaning probe*.



McDonnell & Miller's new low water cut-off with our exclusive self-cleaning probe can save you time and money, while protecting your customers from potential boiler problems. Most probes suffer from lime build-up rather quickly, as minerals like calcium stick to the metal parts of the probe when heated. This build-up can lead to nuisance boiler shutdowns and the potential for water overflow.

*Patent Pending

Get the probe that does the work for you.
Get McDonnell & Miller.



Only McDonnell & Miller offers low water cut-offs with a cleaning element that operates through the constant flow of water around the probe, causing an oscillating movement that removes lime build-up. This process keeps lime build-up at bay and reduces probe maintenance to every five years instead of annually.

Find out more by contacting your local McDonnell & Miller representative or visit us online at www.mcdonnellmiller.com

McDonnell & Miller®



ITT Industries

Engineered for life

THE ITT ENGINEERED BLOCKS SYMBOL AND "ENGINEERED FOR LIFE"
ARE REGISTERED TRADEMARKS OF ITT INDUSTRIES. © 2005

MM-280 210593