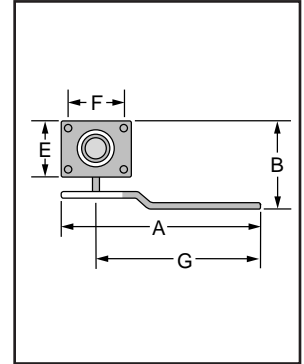


Valves

Series 14-B Ball Type Blow Down Valve

- For McDonnell & Miller Series 47, 67 and 70 boiler control blow down valve replacement
- Full-ported ball action valve
- Teflon® seats provide bind free, leak tight ball movement
- Easy open handle keeps hands away from hot water and steam
- Gasket and mounting screws included
- Maximum pressure 30 psi (1.8 kg/cm²)
- See page 152 for blow-down information

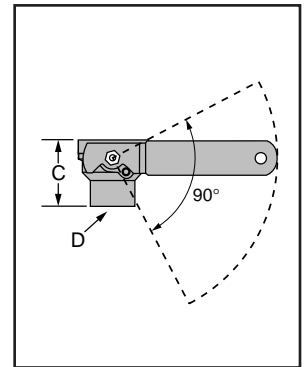


Dimensions, in. (mm)

A	B	C	D NPT	E	F	G
6¾ (171.4)	4 (102)	2¼ (57)	¾	2⅝ (60)	2½ (64)	5¾ (146)

Ordering Information

Model Number	Part Number	Description	Weight lbs. (kg)
14-B	310447	Blow down valve	1 (.5)



BOILER CONTROLS