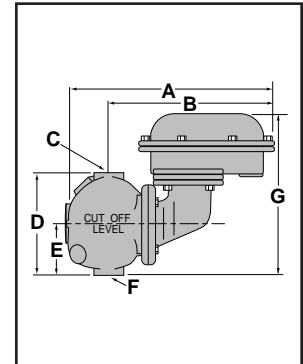


Float Actuated Switch For Liquids

Series 165 Liquid Level Controls

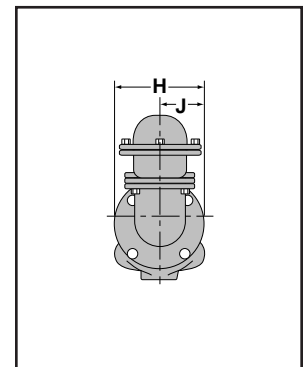


- For industrial applications where measuring and regulating liquid levels in tanks, receivers, or other liquid storage systems subject to outdoor environment or high humidity is required
- NEMA 4X
- Packless bellows
- Heavy duty single pole, single throw switch
- Available in direct or reverse acting
- Maximum operating pressure 50 psi (3.5 kg/cm²)
- Maximum water temperature 287°F (142°C)



Electrical Ratings

Voltage	Motor Switch Rating (Amperes)		Pilot Duty
	Full Load	Locked Rotor	
120 VAC	9.8	58.8	125 VA at 120 or 240 VAC
240 VAC	4.9	29.4	



Dimensions, in. (mm)

A	B	C NPT	D	E	F NPT	G	H	J
13 ³ / ₈ (339)	10 ¹³ / ₁₆ (274)	1	6 ¹ / ₂ (165)	3 ¹ / ₈ (79)	1	10 ³ / ₁₆ (274)	5 (127)	4 ³ / ₄ (121)

Materials of Construction

Part	Specifications
Body	Cast Iron
Bellows	Double-ply Brass
Float	Copper
Float Rod	Stainless Steel

Ordering Information

Model Number	Part Number	Description	Weight lbs. (kg)
165	147100	Low water cut-off vapor proof	22.3 (10)
165-R	147300	165 w/reverse action	22.3 (10)