

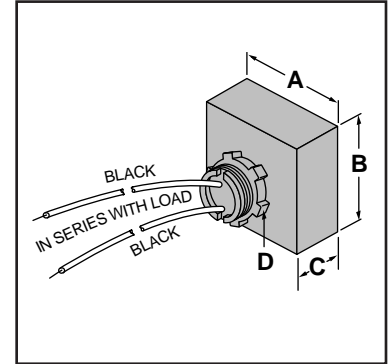
## Flow Switches – Time Delay Relays

### Series T20



#### Time Delay Relay

- For Series FS1, FS4-3, FS6, FS7-4 and FS8-W liquid flow switches and Series AF2 and AF3 air flow switches, to add time delay function
- Provides **20 second delay on make** (closing) circuit
- Permits intermittent switching of controlled equipment
- Eliminates false signals and rapid cycling from turbulence or fluctuations
- Direct mounting on Series FS4-3, AF2 and AF3
- Remote mounting on main control panel or conduit box with Series FS1, FS6, FS7-4 and FS8-W
- 120 VAC
- 1/2" NPT lock nut
- 10" (254mm) lead wires
- Solid state
- No polarity
- Completely encapsulated
- Optional features
  - 24 Volt AC
  - 24 Volt DC
- Minimum current 20 ma



#### Electrical Ratings

Model Number	Switch Rating	
	Input Voltage	Maximum Amperes
T20	120 VAC	1 AC
T20-24V	24 VAC	1 AC
T20-24VDC	24 VDC	1 DC

Note: 20 milliamperes minimum

#### Dimensions, in. (mm)

A	B	C	D
1 5/8 (41)	1 3/4 (45)	3/4 (19)	NPT 1/2

#### Ordering Information

Model Number	Part Number	Description	Weight lbs. (kg)
T20-120V	112050	Time delay relay	.3 (.1)
T20-24V	112055	T20 w/24 volt AC	.3 (.1)
T20-24VDC	112060	T20 w/24 volt DC	.3 (.1)