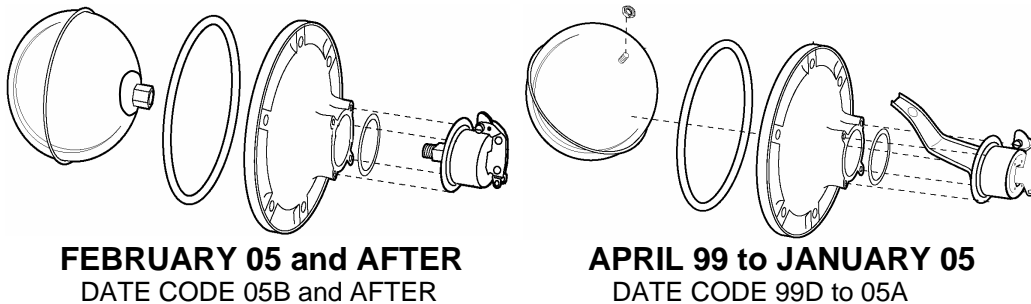


Subject: Series 51 & 53 Float and Bellows Change

McDonnell & Miller announces a design change to the Series 51, 51S, 53, 3155, and 551S, combination mechanical water feeders/low water cut-offs. We have modified the bellows cup assembly and float to improve quality. The benefits of this new design are increased operational consistency and increased service life. We began manufacturing units with this new design in February of 2005 (date code 05B). As inventories work through, you should begin to see these units at about the same time as you receive this announcement.

The modified bellows assembly is interchangeable with existing series 51, 51S, 53, 3155, and 551S models with the exception of the float. When replacing bellows assemblies with date codes prior to February 2005 (05B), you must also perform a one-time float replacement. We are changing the part numbers for the float and bellows assemblies to facilitate clear identification. When ordering replacement bellows, it is very important that you take note of the unit date code to ensure proper replacement. The graphics below offer a pictorial explanation of the changes.



The cross reference chart below shows both new and old end item part numbers, their associated catalog nomenclature and 2005 list pricing.

	NEW FEBRUARY 05 and AFTER			OLD APRIL 99 to JANUARY 05	
Float	Catalog Number	Part Number	2005 List Price	Catalog Number	Part Number
51, 51-2, 51-S & 51-S-2	FLT-51-05	310437	\$130.00	FLT-51	310480
53 & 53-2	FLT-53-05	310438	\$339.00	FLT-53	310482
551-S	FLT-51-05	310437	\$130.00	FLT-51	310480
3155	FLT-51-05	310437	\$130.00	FLT-51	310480
Bellows Assembly	Catalog Number	Part Number	Part Number	Catalog Number	Part Number
51, 51-2, 51-S & 51-S-2	BA-51-05	310439	\$158.00	BA-51	310481
53 & 53-2	BA-53-05	310441	\$160.00	BA-53	310483
551-S	BA-551-05	310442	\$192.00	BA-551	310484
3155	BA-3155-05	310443	\$353.00	BA-3155	310485

Please help us in communicating these changes to your key customers.

Any questions or concerns should be directed to:

Mark Kolodziej, M&M Product Specialist
Steve Mueller, Customer Service Manager

mark.kolodziej@itt.com
steve.mueller@itt.com